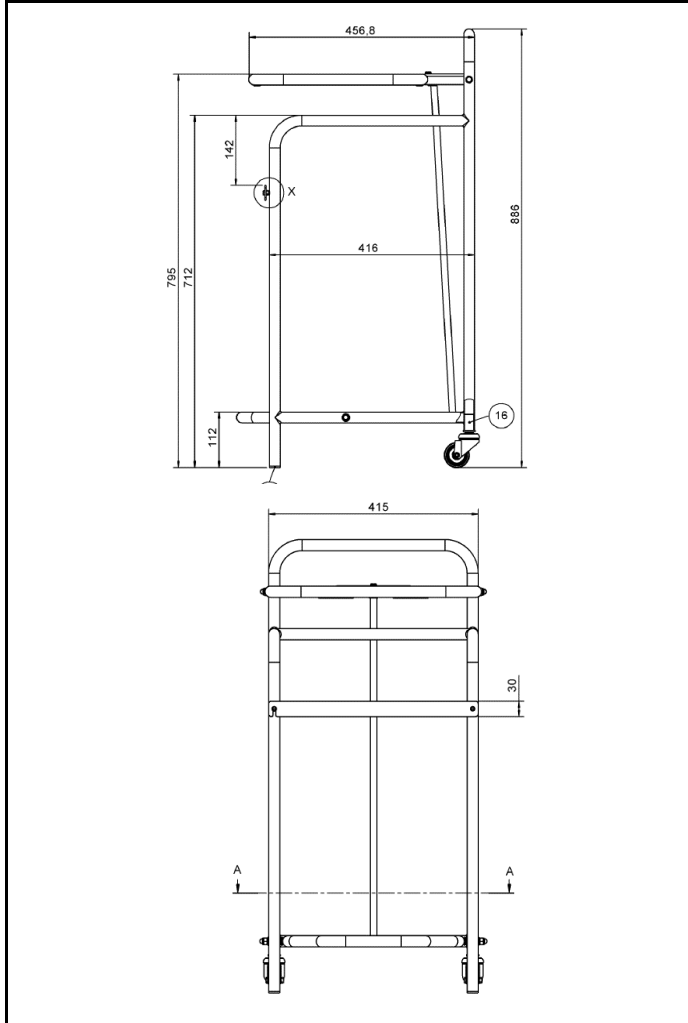


Product Specification Sheet

matchcode:		date of revision:	11-1-2018
article description:	Pedalbinframe for 30, 50 and 60 litre WIVA Vat-5		
article number:	NL80800129 with 2 wheels - NL80800130 with 4 wheels		
product group:	Medical waste container		
colour:	Silverlook - Stainless steel		
weight [gr]:	ca 7 kg		
material:	Stainless steel		

Dimensions and Design



Additional Specifications

drawing number:	A-5528.2 *		
lidmount:	lid is secured in the lidmount by clicking		
wheels:	4-wheels version is at the front with wheels with brake		

Packing unit

packing unit:	1 piece per carton box.
additional packing:	
miscellaneous:	

The facts given in this datasheet refer to the product status on the date of revision. Changes might occur on our own decision without additional customer information.