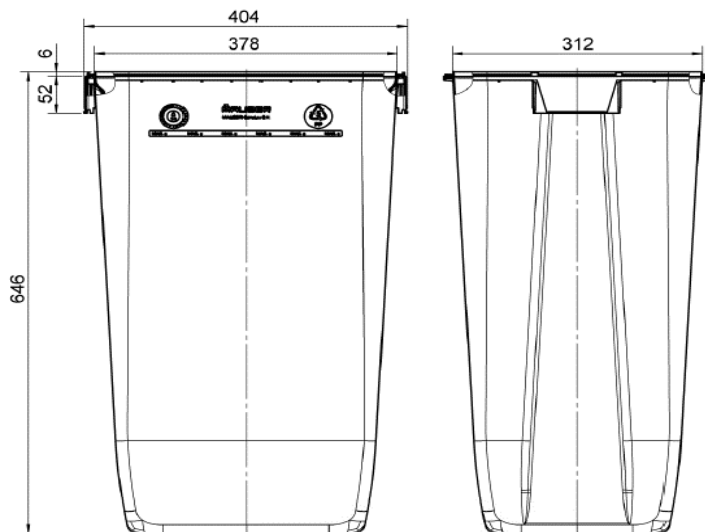


## Product Datasheet

description: 60 litre WIVA VAT-5, UN approved  
 product group: Medical Waste Containers  
 Mauser product no.: NL060V5051GE  
 customer item no.:  

year: 2014  
 last revision: 5-3-2021  
 print date: 15-7-2024  
 page: 1/2



### DIMENSIONS

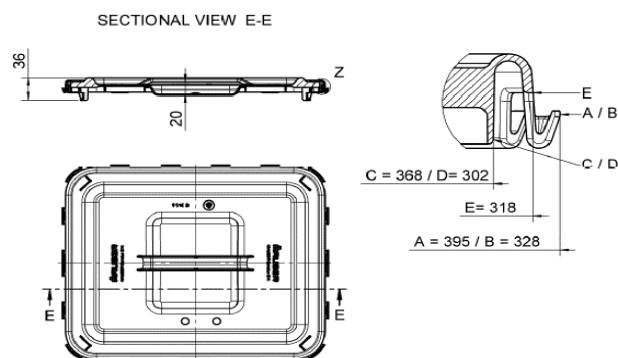
height: 646 mm  
 length: 378 mm  
 width: 312 mm

### TOLERANCE

height: +/- 3%  
 length: +/- 3%  
 width: +/- 3%

### WEIGHT

weight body 60 l VAT-5: 1.325 gram  
 tolerance: +/- 4%  
 weight (PIW): 1.650 gram



### VOLUME

nominal volume [l]: 60,0 l  
 net volume: 59,5 l  
 Filling line  
 85% volume: 50,6 l

### DRAWING NUMBER

Mauser drawing no.: V-5277.6 bin  
 Mauser drawing no.: V-5278.15 grip lid  
 Mauser drawing no.: V-5467.4 click lid

### MAUSER Benelux BV

Soevereinstraat 1 NL-4903 RH Oosterhout The Netherlands  
 Phone +31 (0)162-483700 Fax +31 (0)162-426746  
 info.nl@mauserpackaging.com  
 www.mauserpackaging.com

## Product Datasheet

description:	60 litre WIVA VAT-5, UN approved	year:	2014
product group:	Medical Waste Containers	last revision:	5-3-2021
Mauser product no.:	NL060V5051GE	print date:	15-7-2024
customer item no.:		page:	2/2

### LABELING

Labeling: Marius Pedersen label

### MODEL / COMPONENTS

Type:	60 litre WIVA VAT-5	material bin:	PP
Lid Type (1):	grip lid WIVA VAT-5	material lid:	PP
Lid Type (2):	click lid WIVA VAT-5	material lid:	PP
		material lid gasket:	foamed PU

### COLOURS

colour body:	yellow	article no.	NL060V5051GE
colour grip lid	yellow	article no.	NL510258
colour click lid	yellow	article no.	NL520256

### SHIPPING UNIT

Pallet type: pallet CP1 used (1000 x 1200 mm)  
 Pallet material: wood

pieces per pallet:	216	60 l WIVA VAT-5
pieces per pallet:	648	grip lid WIVA VAT-5
pieces per pallet:	486	click lid WIVA VAT-5

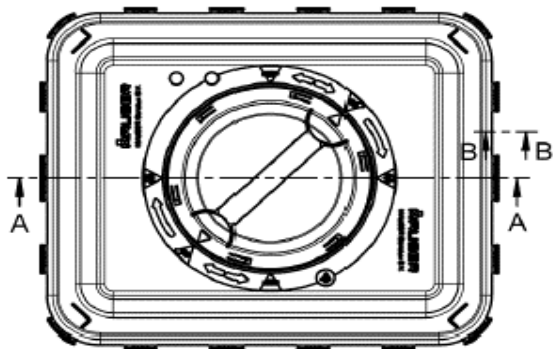
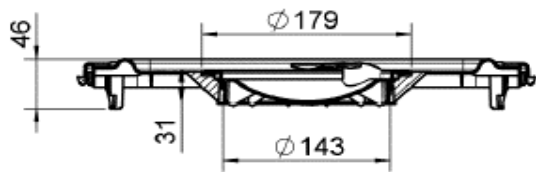
Load secure bins: carton top tray / carton stacking tray / plastic stretch foil  
 Load secure lids: plastic foil on each package of 9 pieces / plastic stretch foil pallet

approval: UN 1H2/Y25/S/\*\*/NL/TCPI-WIVA-140548

### MAUSER Benelux BV

Soeverinstraat 1 NL-4903 RH Oosterhout The Netherlands  
 Phone +31 (0)162-483700 Fax +31 (0)162-426746  
 info.nl@mauserpackaging.com  
 www.mauserpackaging.com

SECTIONAL VIEW A-A



SCHNITT B-B  
(1.5 : 1)

