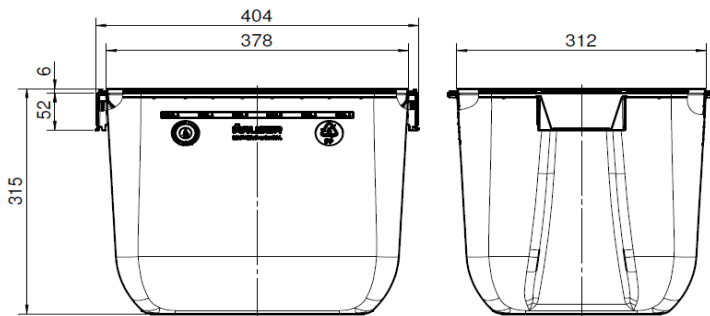


## Product Datasheet

description:	30 litre WIVA VAT-5, UN approved	year:	2014
product group:	Medical Waste Containers	last revision:	3-2-2021
Mauser product no.:	NL030V5051GE	print date:	15-7-2024
customer item no.:		page:	1/2



### DIMENSIONS

height:	315 mm
length:	378 mm
width:	312 mm

### TOLERANCE

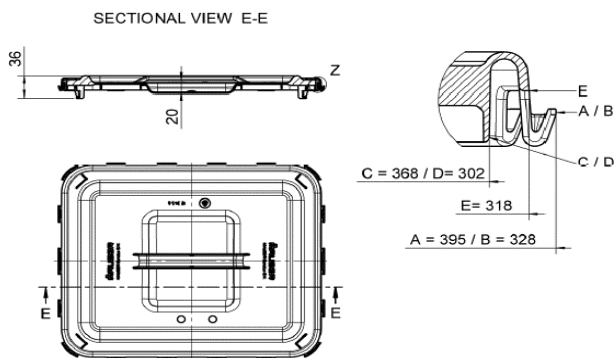
height:	+/- 3%
length:	+/- 3%
width:	+/- 3%

### WEIGHT

weight body 30 l VAT-5:	720 gram
tolerance:	+/- 4%
weight (PIW)	1.050 gram

### VOLUME

nominal volume [l]:	30,0 l
net volume	29,7 l
Filling line	
85% volume	25,2 l



### DRAWING NUMBER

Mauser drawing no.:	V-5275.8	bin
Mauser drawing no.:	V-5278.15	grip lid
Mauser drawing no.:	V-5467.4	click lid

### MAUSER Benelux BV

Soevereinstraat 1 NL-4903 RH Oosterhout The Netherlands  
 Phone +31 (0)162-483700 Fax +31 (0)162-426746  
 info.nl@mauserpackaging.com  
 www.mauserpackaging.com

## Product Datasheet

description:	30 litre WIVA VAT-5, UN approved	year:	2014
product group:	Medical Waste Containers	last revision:	3-2-2021
Mauser product no.:	NL030V5L51GE	print date:	15-7-2024
customer item no.:		page:	2/2

### LABELING

Labeling: Marius Pedersen label

### MODEL / COMPONENTS

Type:	30 litre WIVA VAT-5	material bin:	PP
Lid Type (1):	grip lid WIVA VAT-5	material lid:	PP
Lid Type (2):	click lid WIVA VAT-5	material lid:	PP
		material lid gasket:	foamed PU

### COLOURS

colour body:	yellow	article no.	NL030V5051GE
colour grip lid	yellow	article no.	NL510258
colour click lid	yellow	article no.	NL520256

### SHIPPING UNIT

Pallet type: pallet CP1 used (1000 x 1200 mm)  
 Pallet material: wood

pieces per pallet:	279	30 l WIVA VAT-5
pieces per pallet:	648	grip lid WIVA VAT-5
pieces per pallet:	486	click lid WIVA VAT-5

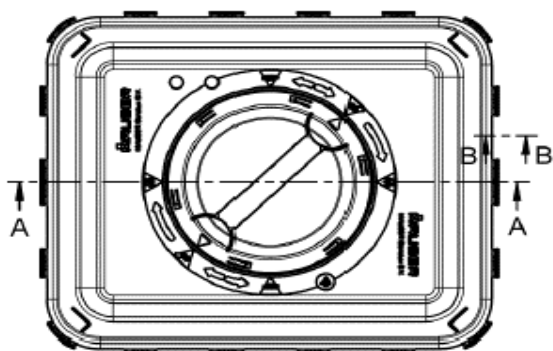
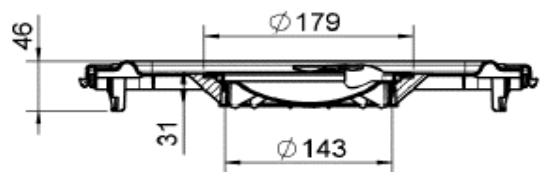
Load secure bins: carton top tray / carton stacking tray / plastic stretch foil  
 Load secure lids: plastic foil on each package of 9 pieces / plastic stretch foil pallet

approval: UN 1H2/Y15/S/\*\*/NL/TCPI-WIVA-140547

### MAUSER Benelux BV

Soeverinstraat 1 NL-4903 RH Oosterhout The Netherlands  
 Phone +31 (0)162-483700 Fax +31 (0)162-426746  
 info.nl@mauserpackaging.com  
 www.mauserpackaging.com

SECTIONAL VIEW A-A



SCHNITT B-B  
(1.5 : 1)

